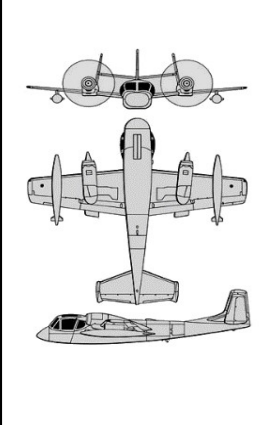
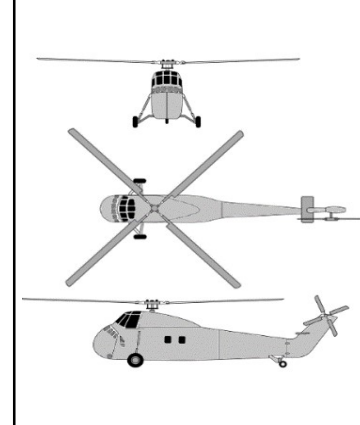
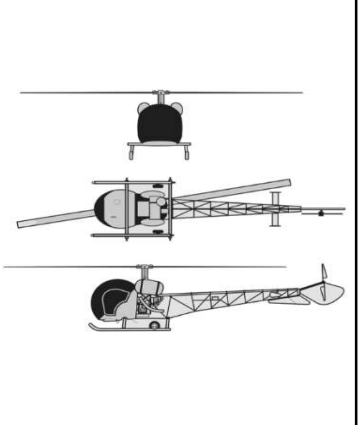
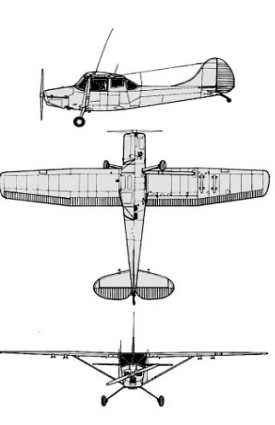
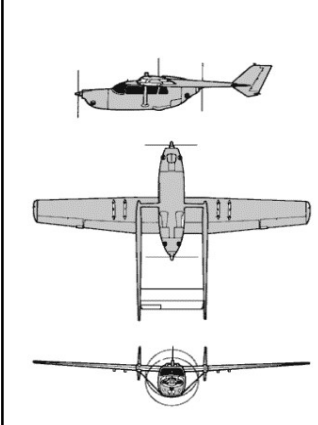




AIRCRAFT IDENTIFICATION CHART

U.S. ARMY 2nd ACR Nuremberg 1969

	Grumman OV-1 "Mohawk"	Sikorski H-34 "Choctaw"	Bell H-13 "Sioux"	Cessna O-1 "Bird Dog"	Cessna O-2 "Skymaster"
					
Wingspan	14,63m	17,07m	11,35m	10,97m	11,62m
Length	12,50m	20,00m	13,17m	7,83m	9,07m
Takeoff Weight	8125kg	6050kg	1340kg	1202kg	2100kg
Speed	491km/h	216km/h	169km/h	293km/h	315km/h
Wingarea	33,4m ²	-	-	16,76m ²	18,81m ²
Crew	2	2 + 16	3	2	6
Engine	2 x 1044kW	1121kW	199kW	164kW	2 x 157kW

 This Document is NOT an official US Army document.
 Instead, it is part of a game called "Geocaching". See geocaching.com for more details.